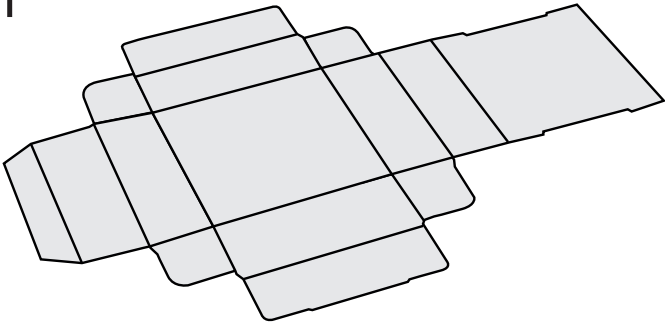
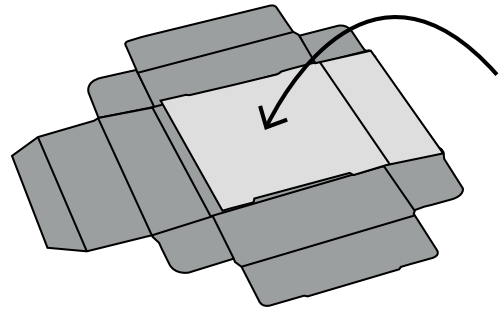


# Box and Lid Instructions

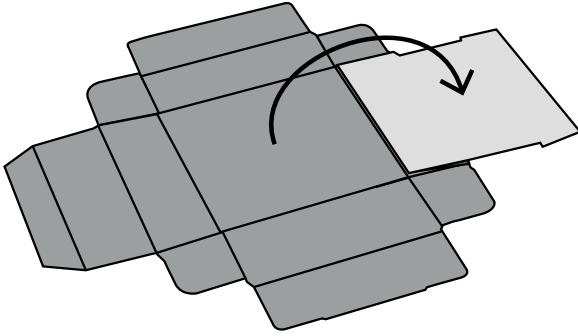
1



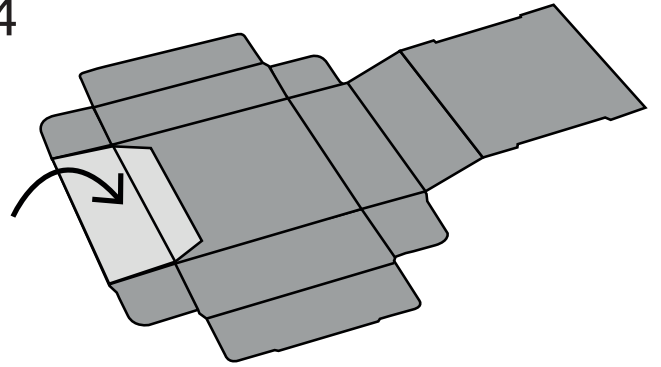
2



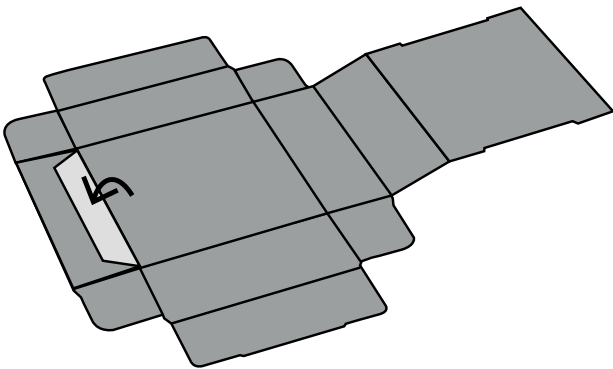
3



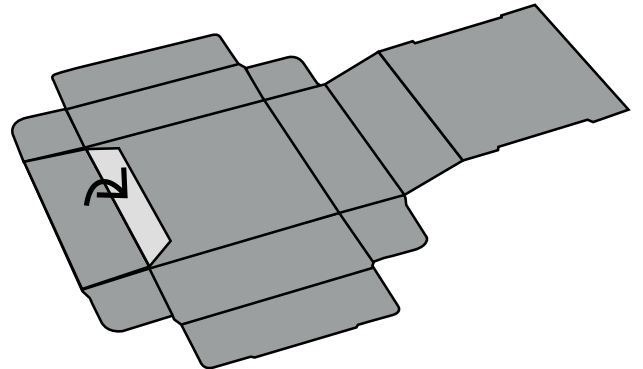
4



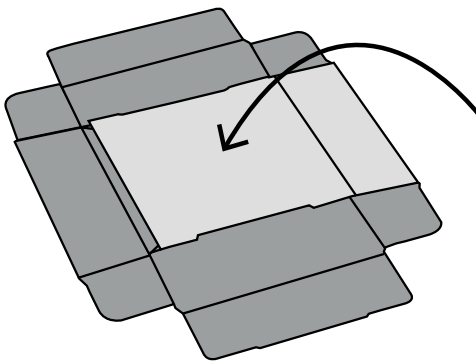
5



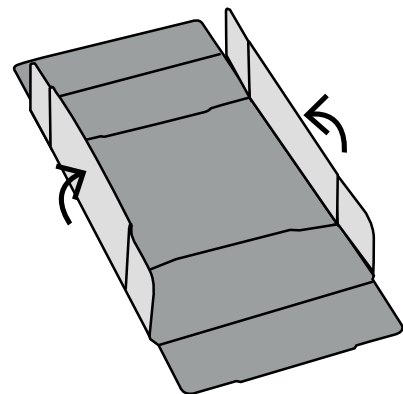
6



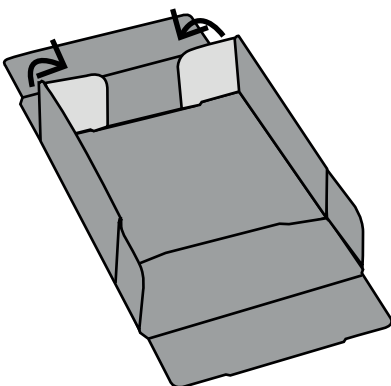
7



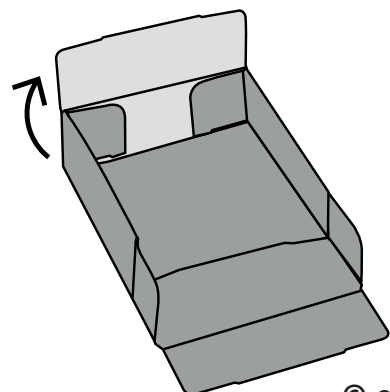
8

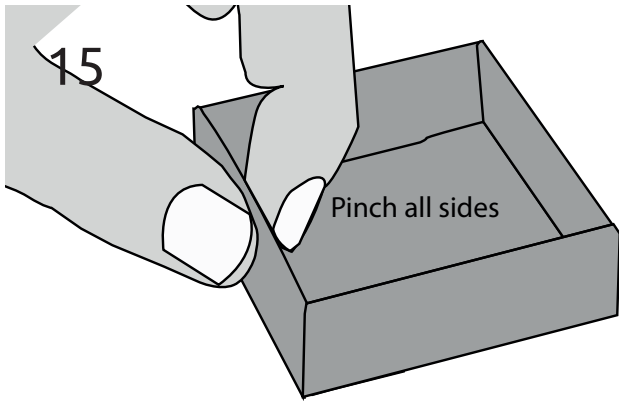
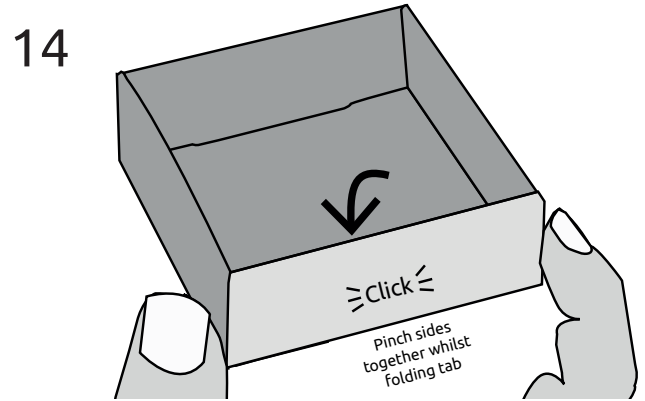
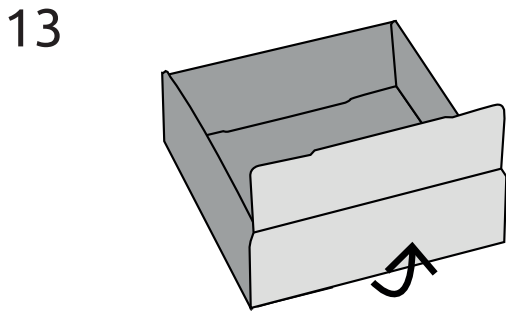
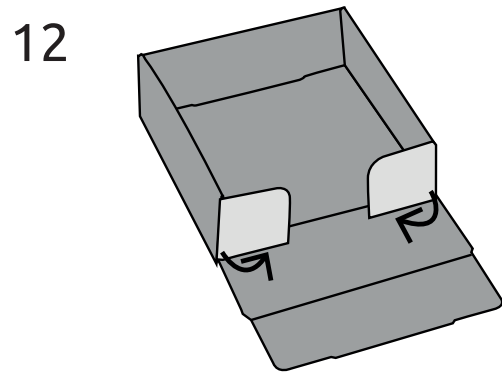
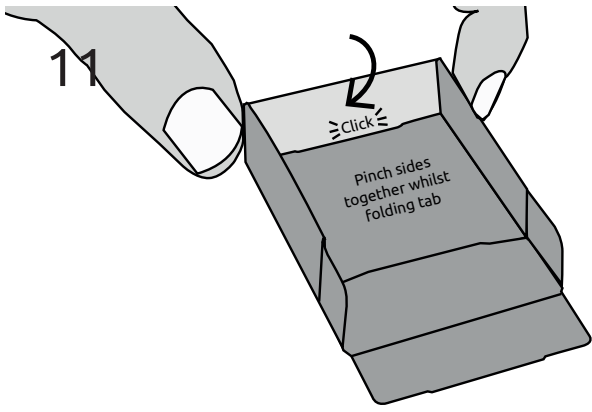


9



10





16

Repeat steps  
1-15 for the lid

